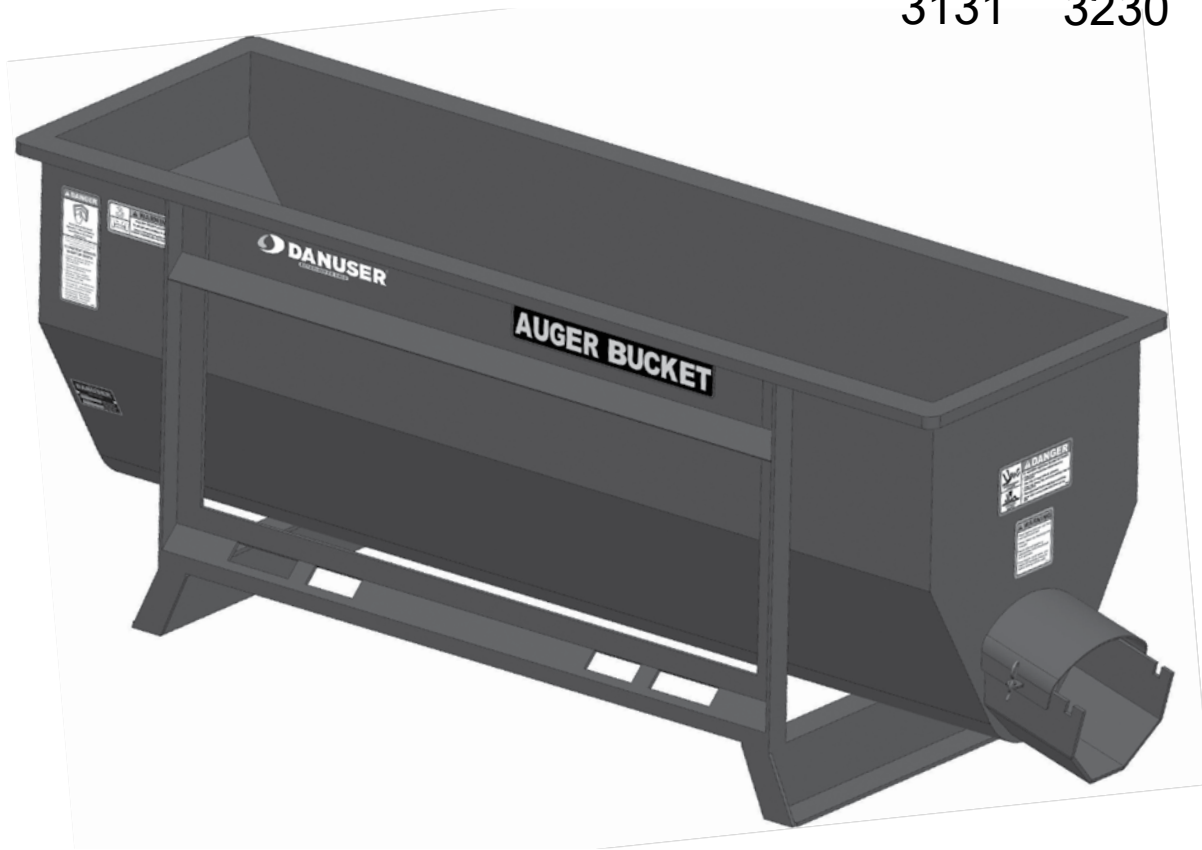


# AUGER BUCKET

3110    3210  
3120    3220  
3131    3230



Read this entire manual. This safety alert symbol is used throughout this manual to call your attention to messages involving your personal safety and the safety of others. Failure to follow these instructions can result in injury or death.

## **WARNING**

*Si no entiende ingles, se prefiere que busque a alguien que interprete las instrucciones para usted.*

Owner: \_\_\_\_\_

Date Purchased: \_\_\_\_\_

Model #: \_\_\_\_\_ Serial #: \_\_\_\_\_

Manual #: 9MBUCK2459016

## Operator's Manual

Danuser LLC  
500 E. 3rd St.  
P.O. Box 368

Fulton, MO 65251

Phone: (573) 642-2246 Fax: (573) 642-2240

E-mail: [sales@danuser.com](mailto:sales@danuser.com)

Website: [www.danuser.com](http://www.danuser.com)



Dear Owner/Operator,

Thank you for purchasing this Danuser Auger Bucket. We appreciate your business.

Your safety as an operator of our product is very important to us. Therefore, *before* you assemble, install, operate, maintain, service, remove, or move your Danuser Auger Bucket, read and understand this manual thoroughly. If there is anything you do not understand, immediately contact your dealer, or contact our factory direct.

Phone:	(573) 642-2246
Fax:	(573) 642-2240
E-mail:	sales@danuser.com

Your satisfaction in the performance and longevity of our product is also very important to us and can be prolonged by proper assembly, installation, operation, and maintenance as instructed in this manual.

Thank you again for your business and for your trust in our product. Please feel free to contact us at any time for further assistance.

Sincerely,

Danuser LLC  
500 E. 3rd St.  
P.O. Box 368  
Fulton, MO 65251

Tel: (573) 642-2246    Fax: (573) 642-2240  
E-mail: sales@danuser.com    Website: www.danuser.com

Danuser provides this manual "as is" without warranty of any kind, either expressed or implied. Danuser assumes no responsibility for errors or omissions. Danuser assumes no liability for damages resulting from the use of the information contained herein. Danuser reserves the right to revise and improve its products as it sees fit. This manual describes the state of this product at the time of its publication and may not reflect the product in the future.

Danuser is a registered trademark.

# Foreword


*Please read this manual thoroughly!*





**Before** you assemble, install, operate, maintain, service, remove, or move your Danuser Auger Bucket, read this manual thoroughly. If there is anything you do not understand, immediately contact your dealer, or call our factory direct at (573) 642-2246. Powered equipment can be dangerous if not assembled, installed, operated, maintained, serviced, removed, or moved properly.

### *Warranty Registration*

To activate your warranty coverage and to provide you with efficient customer service, please fill out your WARRANTY REGISTRATION FORM. This form is included in your unit's paperwork package. If you did not complete a WARRANTY REGISTRATION FORM or did not receive one, please call Danuser LLC. Or, register online at [www.Danuser.com](http://www.Danuser.com). Your satisfaction with our product and your safety as a user of our product are both very important to us.

# Symbols

 This SAFETY ALERT symbol identifies important safety messages. Carefully read each safety message that follows. Failure to understand and obey a safety message, or recognize a safety hazard, could result in injury or death to you or others around you. The operator is ultimately responsible for the safety of himself, as well as others, in the operating area of the Auger Bucket.

<i>Symbol</i>	<i>Meaning</i>
	Indicates an imminently hazardous situation which, if not avoided, <b>will</b> result in death or serious injury.
	Indicates a potentially hazardous situation which, if not avoided, <b>could</b> result in death or serious injury, including hazards that are exposed when guards are removed.
	Indicates a potentially hazardous situation which, if not avoided, <b>may</b> result in minor or moderate injury. It may also be used to alert against unsafe practices.
	This is important information for proper use of this equipment. Failure to comply may lead to premature equipment failure.

# Table of Contents

	Page
Letter to the Owner/Operator .....	2
Foreword .....	3
Symbols .....	3
Safety .....	4
Decals & Safety Signs .....	6
Specifications .....	7
Hydraulic Requirements .....	8
Assembly & Installation .....	9
Operation .....	11
Clean Up .....	13
Removal & Storage .....	14
Troubleshooting .....	15
Maintenance & Service .....	16
Parts .....	18
Accessories .....	20
Warranty .....	Form No. 3449

## **WARNING**

Working with unfamiliar equipment can lead to careless injuries. Read and understand this manual and the manual for your vehicle before assembling, installing, operating, maintaining, servicing, removing, or moving this Auger Bucket. If there is anything in this manual you do not understand, contact your dealer or Danuser LLC. The safe use of this attachment is strictly up to you, the operator. If this attachment is used, loaned, or rented by any other person, it is the owner's responsibility to make certain that the operator prior to operating:

- Reads and understands the Operator's Manuals
- Is instructed in safe and proper use
- The Auger Bucket is designed to be operated from the vehicle seat. Keep bystanders away from the work area. Do not operate with another person in contact with any part of the Auger Bucket.
- All operators of this attachment must read and understand this entire manual, paying particular attention to safety messages and operation instructions, prior to assembling, installing, operating, maintaining, servicing, removing, or moving the Auger Bucket.
- Please remember it is also important that you read, understand, and follow the safety signs on the attachment. Clean or replace all safety signs if they cannot be clearly read and understood. They are there for your safety as well as the safety of others. Danuser LLC will furnish new safety signs upon request at no charge.
- All things with moving parts are potentially hazardous. There is no substitute for a cautious, safe-minded operator who recognizes potential hazards and follows reasonable safety practices.
- Personal protection equipment including hard hat, safety glasses, safety shoes, and gloves are recommended during assembly, installation, operation, maintenance, service, removal, or movement of attachment.
- When the use of hand tools is required to perform any part of assembly, installation, operation, maintenance, or service of the attachment, be sure the tools used are designed and recommended by the tool manufacturer for that specific task.
- Never check pressurized system for leaks with your bare hand. Wear proper hand and eye protection and use wood or cardboard when searching for suspected leaks. Oil escaping from pinhole leaks under pressure can penetrate skin and create a serious medical emergency. If any fluid is injected into the skin, gangrene, blood poisoning, even death may result. Obtain medical attention immediately.
- Always use two people to handle heavy, unwieldy components during assembly, installation, maintenance, service, removal, or movement of the Auger Bucket.
- Never place any part of your body where it would be in danger if movement should occur during assembly, installation, operation, maintenance, service, removal, or movement of the Auger Bucket.
- Only properly trained people should operate this equipment. Do not allow anyone who has not read this entire manual and understood the safety rules, safety signs, and operation instructions to use this attachment.
- Never allow children to operate or be around the Auger Bucket.
- Do not allow riders on the equipment at any time. There is no safe place for any riders.
- Never use alcoholic beverages or drugs which can hinder alertness or coordination while operating this equipment. Consult your doctor about operating this equipment while taking prescription medications.

# Safety

(continued)

- Before you operate the attachment, check over pins and connections to be sure all are securely in place. Make sure the Auger Bucket is securely latched to the skid-steer.
- Keep hands, feet, hair, jewelry, and clothing away from all moving and/or rotating parts.
- Never place yourself between the vehicle and the attachment.
- Never allow anyone under the attachment at any time.
- Never reach into discharge end of auger.
- Keep clear of auger while in operation. Never position the material by hand or with any tool when the auger is rotating.
- Do not exceed the vehicle's rated operating load. Use sufficient counterweights. Move the vehicle slowly when the attachment is raised.
- Carry the load low. A heavy load can cause instability of the vehicle. Use extreme care during travel. Slow down on turns and watch out for bumps. Use all safety devices, including a seat belt, as recommended in the vehicle operator's manual.
- Do not operate the Auger Bucket on steep hillsides. When operating the Auger Bucket on uneven or hilly terrain, position the vehicle with the attachment uphill. With the attachment downhill, the vehicle could tip when attempting to raise the Auger Bucket. Consult your vehicle operator's manual for maximum incline allowable.
- Always shut off the vehicle engine and remove the key before dismounting the vehicle, adjusting the attachment, or servicing the Auger Bucket. Never leave equipment unattended with the vehicle running.
- Never attempt repairs or adjustments while the equipment is in operation.
- Before connecting or disconnecting hydraulic lines or fittings, be sure to relieve all pressure by cycling all hydraulic controls after shutdown. Remember hydraulic systems are under pressure whenever the engine is running and may hold pressure after shutdown.
- Always use care when operating the Auger Bucket. Most accidents occur because of neglect or carelessness.

Safety is a primary concern in the design, manufacture, sale, and use of Auger Buckets. Danuser confirms to you, our customer, our concern for safety.

## **DANGER**

**Improper operation of this Auger Bucket can cause serious personal injury or death. Operation of this Auger Bucket should only be done by a competent adult acting in compliance with the Operator's Manual. Since Auger Bucket operations are beyond our control, we disclaim all liability for any damages, injuries or death which may result.**

## **WARNING**

**This product can expose you to chemicals known to the State of California to cause cancer and birth defects or other reproductive harm. For more information go to [www.P65Warnings.ca.gov/product](http://www.P65Warnings.ca.gov/product).**

# Decals & Safety Signs

The Auger Bucket comes equipped with all safety signs in place. Their locations are shown in this section. Read and follow their instructions and ensure their care:

- Keep safety signs clean and legible at all times.
- Replace safety signs that are missing, illegible, or damaged.
- Ensure replacement parts installed during repair have safety signs attached.

To install new safety signs, follow these steps:

1. Clean the area where the safety sign is to be placed.
2. Spray a little soapy water on the surface where the safety sign is to be placed.
3. Peel the backing from the safety sign, and apply it in the position shown.
4. Firmly press the safety sign, and squeeze out the air bubbles with a straight edge (e.g., a credit card).

## AUGER BUCKET

### PART NO. CA65

Location: motor end



### PART NO. DIG5

Location: motor end



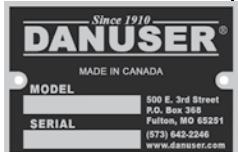
### PART NO. DANUSER106

Locations: front & rear



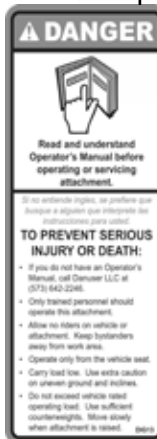
### PART NO. DIG19

Location: discharge end



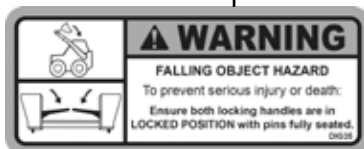
### Model No. & Serial No.

Location: motor end



### PART NO. DIG13

Locations: front & rear



### PART NO. DIG35

Locations: front & rear

### PART NO. DIG15

Location: discharge end

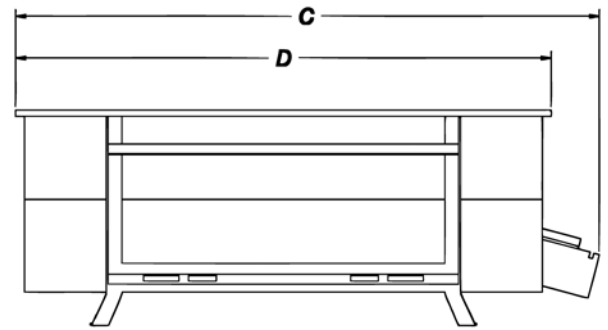
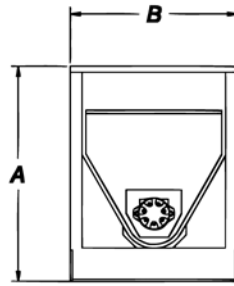
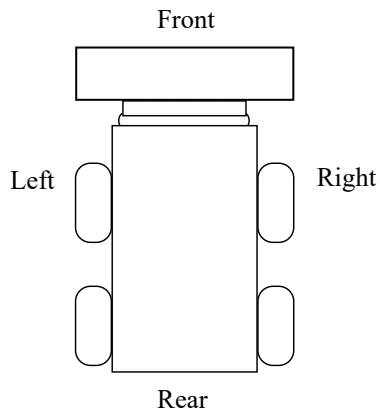


## WARNING

Clean or replace all safety signs if they cannot be clearly read and understood.

# Specifications

Operator's Manual  
Direction Terminology



Auger Bucket (All Models)	
Overall Height (A)	27"
Overall Width (B)	21.5"
Overall Length (C)	74.5"
Overall Bucket Length (D)	68.5"
Weight	380 lbs.
Hydraulic Requirements	12 GPM 2000 PSI
Hitch	Skid-Steer Quick Attach
<hr/>	
Auger Length	61.5"
Auger Diameter without Rubber	4"
Auger Diameter with Rubber	6.5"
Auger Flighting Spacing	4"

- Mix, transport, and dispense concrete (up to 1" slump), sand, washed gravel (3/4" max.), wildlife feed, asphalt, agricultural grains, etc.
- 1/2 yard capacity; 3/4 yard capacity capable with optional hopper extension
- Accurate and controlled discharge – 1/2 yard in 50 seconds
- Horizontal steel auger with orbital motor drive
- Replaceable protective rubber flighting prevents binding of coarse material
- Quick attach frame on either side allows right- or left-hand discharge
- Self loading from loose piles
- 7' hose kit with flat face couplers included
- 2 multi-linked chutes (24" & 36" long) included

# Hydraulic Requirements

---

## **Filtration Requirements:**

- A filter of, at least, 25 micron filtration is required. A filter capable of 10 micron filtration is preferred. The majority of paper type filters are 25 microns or better.

### **NOTE**

The life of the hydraulic motor is almost entirely dependent upon cleanliness of the oil. Instructions in your vehicle operator's manual regarding filter and oil changes should be carefully followed. Even small amounts of dirt in the hydraulic oil can cause premature motor failure that is not covered by warranty.

- A low pressure type filter can be installed in the return line from the control valves to the sump. A low pressure type filter can also be installed in the sump or pump intake line, but must be sized large enough to avoid starving the pump.
- A high pressure type filter can be used between the pump and the control valves.
- If the source of the hydraulic power does not have a filter, it will be necessary to install one at some point in the system so at least part of the hydraulic oil is being filtered whenever the system is operating. After a filter is installed and before attaching the Auger Bucket, the entire hydraulic system should be drained, filled with new oil, and operated for 30 minutes or until the system is warm. During this run time, operate all valves, cylinders, and hydraulic motors on the attachment.

## **Pressure and Flow Requirements:**

- The Auger Bucket is designed to operate at 12 GPM and 2000 PSI.

## **Valve Requirements:**

- The hydraulic system used to power the Auger Bucket should be equipped with a four-way valve large enough to carry full pump outlet without restricting flow and causing oil heating.
- The four-way valve requires a relief valve which will open and relieve extreme pressures between the Auger Bucket and control valve, even when the control valve is in a neutral position. This feature can be obtained by connecting two external relief valves between the main lines running from the control valve to the Auger Bucket in such a way that high pressure in either line will be relieved to the other line.

## **Hydraulic Fluid Selection Requirements:**

- Premium grade petroleum based fluids will provide the best performance.
- Fluids that contain anti-wear agents, rust inhibitors, anti-foaming agents, and oxidation inhibitors are recommended.
- The viscosity of the fluid should never fall below 70 SUS (13 cST). The best viscosity range for the Auger Bucket is 100-200 SUS (20-43 cST).



# Assembly & Installation

## Prepare the Vehicle

Read and understand the manual for your vehicle before assembling or installing the Auger Bucket. The skid-steer must be equipped with a universal quick attach hitch and auxiliary hydraulics. The use of the Auger Bucket may require the addition of counterweights to ensure the combined weight of the bucket and the material does not exceed the rated capacity of your vehicle.

## **! DANGER**

**Do not exceed the vehicle's rated operating load. If necessary, use sufficient counterweights.**

### NOTE

Here is an easy formula for calculating weight:

1/2 yard bucket & material = empty bucket weight (380 lbs.) + 2,000 lbs.

3/4 yard bucket & material = empty bucket weight (380 lbs.) + 3,000 lbs.

## Select the Right Auger Bucket

### MIXING AUGER BUCKET

- The mixing auger should be used any time you are mixing your own material(s). Turn the auger in reverse for mixing and then forward for discharge. This auger has the wear rubber reversed for the first half of the auger (motor end). For added durability, this auger also has 40% more hardware than a discharge auger.

### DISCHARGE AUGER BUCKET

- The discharge auger should be used for dispensing material(s). The rubber flights have wear rubber on the discharge side.

## **! CAUTION**

**Do not use the discharge auger for mixing. Running this auger in the reverse direction for mixing will result in extreme premature wear of the rubber fighting.**

STEP 1: Remove the chutes and hydraulic hoses from inside the Auger Bucket.

STEP 2: Remove the dust plugs from the hydraulic motor ports.

STEP 3: Locate the hydraulic fittings from the chute box, and install them into the motor.

### NOTE

All hoses and fittings used to connect the Auger Bucket should be thoroughly cleaned before use. Care should be taken to see that no thread sealer or metal chips are forced to the inside of the joints when connections are being tightened.

STEP 4: Tighten the fittings into the motor, and install the hydraulic hoses provided.

STEP 5: Install the Auger Bucket by following your vehicle operator's manual for installing an attachment. Be sure to securely latch the Auger Bucket to the skid-steer.

## **! WARNING**

**Make sure the Auger Bucket is securely latched to the skid-steer. Failure to do so could result in separation of the attachment from the skid-steer.**

STEP 6: Use the quick couplers to connect the hydraulic hoses to the vehicle's auxiliary hydraulics.

## **! WARNING**

**Personal protection equipment including hard hat, safety glasses, safety shoes, and gloves are recommended during assembly, installation, operation, maintenance, service, removal, or movement of the Auger Bucket.**

(continued)

## ⚠ WARNING

Before connecting or disconnecting hydraulic lines or fittings, be sure to relieve all pressure by cycling all hydraulic controls after shutdown. Remember hydraulic systems are under pressure whenever the engine is running and may hold pressure after shutdown.

STEP 7: Activate the vehicle's auxiliary hydraulics to ensure the auger rotates toward the discharge end.

STEP 8: Check the hydraulic system for leaks.

## ⚠ WARNING

Never check pressurized system for leaks with your bare hand. Wear proper hand and eye protection and use wood or cardboard when searching for suspected leaks. Oil escaping from pinhole leaks under pressure can penetrate skin and create a serious medical emergency. If any fluid is injected into the skin, gangrene, blood poisoning, even death may result. Obtain medical attention immediately.

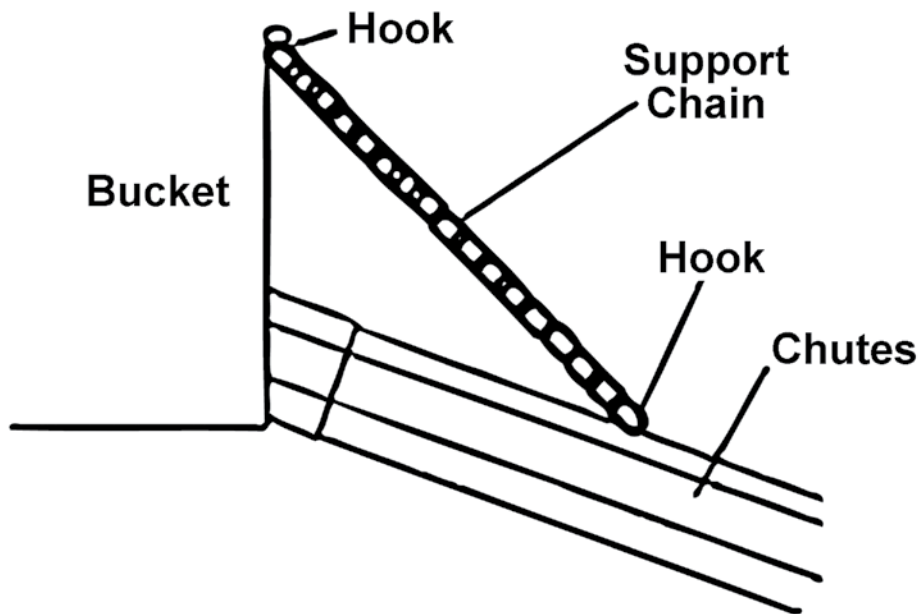
### NOTE

For ease of cleaning, coat the bucket with a water-based releasing agent.

## ⚠ CAUTION

Do not coat the bucket with a petroleum based cleaning agent. Damage to rubber components will occur.

STEP 9: Install the chute(s) to the discharge end of the Auger Bucket. If you are using more than 8' of discharge chutes, then we recommend you weld a hook to the bucket and another half way down the chutes. Then install a support chain.



# Operation

## Mixing Auger Bucket

### **⚠ DANGER**

The Auger Bucket is designed to be operated from the vehicle seat. Keep bystanders away from the work area. Do not operate with another person in contact with any part of the Auger Bucket.

### **⚠ DANGER**

Keep hands, feet, hair, jewelry, and clothing away from all moving and/or rotating parts.

### **⚠ DANGER**

Never allow anyone under the attachment at any time.

### **⚠ WARNING**

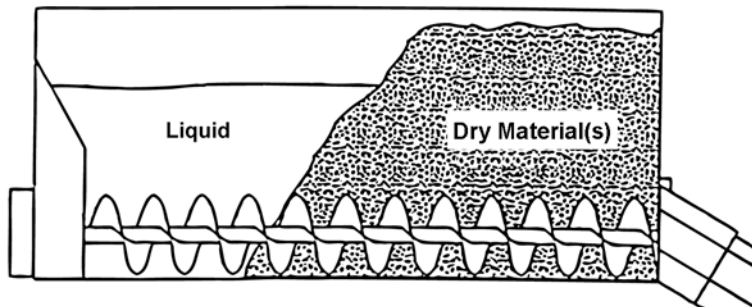
Personal protection equipment including hard hat, safety glasses, safety shoes, and gloves are recommended during assembly, installation, operation, maintenance, service, removal, or movement of the Auger Bucket.

### **⚠ DANGER**

Before you operate the attachment, check over pins and connections to be sure all are securely in place. Make sure the Auger Bucket is securely latched to the skid-steer.

**NOTE** Failure to follow these mixing instructions will result in excessive wear of the rubber flighting and will void manufacturer's warranty.

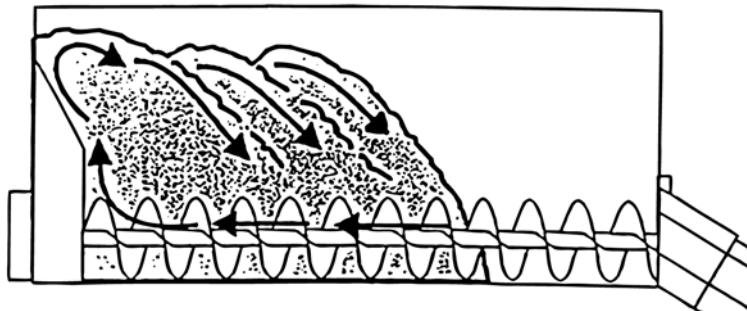
**STEP 1:** With the Auger Bucket stationary, add dry material(s) to the discharge chute end of the bucket and then the liquid (water) to the motor end of the bucket.



**STEP 2:** Run the auger in reverse. This will draw the dry material(s) into the liquid and up the motor end of the bucket. The mixture will roll back into the mixing material(s).

### **⚠ DANGER**

Keep clear of auger while in operation. Never position the material by hand or with any tool when the auger is rotating.



**STEP 3:** Continue to add more dry material(s) and liquid to get the quantity and mix you require.

**NOTE** Motor stalling could occur if the mixture is too dry.

**STEP 4:** When mixing is complete, position the vehicle so the discharge chute is directly over the forms or desired location. Run the auger in the forward direction to discharge the mixture.

### **⚠ WARNING**

Move the vehicle slowly when the attachment is raised, and carry the load low. A heavy load can cause instability of the vehicle. Use extreme care during travel. Slow down on turns and watch out for bumps. Use all safety devices, including a seat belt, as recommended in the vehicle operator's manual.

## Operation

### Discharge Auger Bucket

#### **DANGER**

The Auger Bucket is designed to be operated from the vehicle seat. Keep bystanders away from the work area. Do not operate with another person in contact with any part of the Auger Bucket.

#### **WARNING**

Personal protection equipment including hard hat, safety glasses, safety shoes, and gloves are recommended during assembly, installation, operation, maintenance, service, removal, or movement of the Auger Bucket.

#### **DANGER**

Before you operate the attachment, check over pins and connections to be sure all are securely in place. Make sure the Auger Bucket is securely latched to the skid-steer.

STEP 1: With the Auger Bucket stationary, add material(s) to the bucket.

#### **NOTE**

Do not attempt to dig with the Auger Bucket. If the optional Scraper Blade is installed, then scoop from loose piles only.

STEP 2: Position the vehicle so the discharge chute is directly over the desired location. Run the auger in the forward direction to discharge the material(s).

#### **DANGER**

Keep clear of auger while in operation. Never position the material by hand or with any tool when the auger is rotating.

#### **WARNING**

Keep hands, feet, hair, jewelry, and clothing away from all moving and/or rotating parts.

#### **DANGER**

Never allow anyone under the attachment at any time.

#### **WARNING**

Move the vehicle slowly when the attachment is raised, and carry the load low. A heavy load can cause instability of the vehicle. Use extreme care during travel. Slow down on turns and watch out for bumps. Use all safety devices, including a seat belt, as recommended in the vehicle operator's manual.

## Clean Up

### **DANGER**

Keep hands, feet, hair, jewelry, and clothing away from all moving and/or rotating parts.

### **DANGER**

Never place yourself between the vehicle and the attachment.

### **DANGER**

Never allow anyone under the attachment at any time.

### **WARNING**

Personal protection equipment including hard hat, safety glasses, safety shoes, and gloves are recommended during assembly, installation, operation, maintenance, service, removal, or movement of the Auger Bucket.

STEP 1: Run the Auger Bucket until all of the material is removed from the bucket.

STEP 2: The operator should remain in the vehicle seat and run the auger in reverse. A second person, standing a safe distance away from the Auger Bucket, should use a hose to add water to the discharge end of the bucket.

### **DANGER**

Keep clear of auger while in operation. Never position the material by hand or with any tool when the auger is rotating.

### **DANGER**

Never reach into discharge end of auger.

STEP 3: After most of the material has been cleaned from the bucket, raise the bucket and tilt it forward. This will allow the second person, standing a safe distance away from the Auger Bucket, to use the hose to rinse out any remaining material.

STEP 4: Level the Auger Bucket, and lower it to the ground.

STEP 5: Shut off the vehicle engine, lower the arms, relieve all hydraulic pressure (by activating the vehicle controls), and remove the vehicle key before leaving the vehicle seat.

### **WARNING**

Before connecting or disconnecting hydraulic lines or fittings, be sure to relieve all pressure by cycling all hydraulic controls after shutdown. Remember hydraulic systems are under pressure whenever the engine is running and may hold pressure after shutdown.

STEP 6: Disconnect the hydraulic hoses from the vehicle's auxiliary hydraulics.

STEP 7: Remove the cotter pin, and lift the splash shield at the discharge end of the bucket. Clean it with water. Make sure there is not any material between the auger and the discharge casing.

STEP 8: Replace the splash shield, and secure it with the cotter pin.

STEP 9: Coat the bucket with a water-based releasing agent. Do not allow concrete to dry in the bucket or water to freeze in the bucket. This will cause damage to the rubber flighting and damage the bucket itself.

## Removal & Storage

Before storage, the Auger Bucket should be thoroughly cleaned per the instructions in the Clean Up section. Always store the Auger Bucket in a dry location. Do not allow concrete to dry in the bucket or water to freeze in the bucket. This will cause damage to the rubber flighting and damage the bucket itself.

STEP 1: Lower the Auger Bucket onto a flat, level surface.

### DANGER

**Never allow anyone under the attachment at any time.**

STEP 2: Shut off the vehicle engine, lower the arms, relieve all hydraulic pressure (by activating the vehicle controls), and remove the vehicle key before leaving the vehicle seat.

### WARNING

Personal protection equipment including hard hat, safety glasses, safety shoes, and gloves are recommended during assembly, installation, operation, maintenance, service, removal, or movement of the Auger Bucket.

### WARNING

**Before connecting or disconnecting hydraulic lines or fittings, be sure to relieve all pressure by cycling all hydraulic controls after shutdown. Remember hydraulic systems are under pressure whenever the engine is running and may hold pressure after shutdown.**

STEP 3: Disconnect the hydraulic hoses from the vehicle's auxiliary hydraulics.

#### NOTE

Connect quick couplers together to prevent contaminants from entering the bucket hydraulic system.

STEP 4: Follow your vehicle operator's manual for removing an attachment.

STEP 5: Coat the bucket with a water-based releasing agent.

### CAUTION

**Do not coat the bucket with a petroleum based cleaning agent. Damage to rubber components will occur.**

# Troubleshooting

PROBLEM	POSSIBLE CAUSE	SOLUTION
<i>Slow Speed</i>	a) Low flow	Check with flow meter. If low, investigate the cause.
	b) Fittings or connections are too small or incompatible	Replace with proper fittings.
	c) Line restrictions	Clear lines.
	d) Dirty oil or oil filter	Change oil and oil filter according to vehicle manufacturer's recommendation.
	e) Hydraulic pump worn or damaged	See your dealer for repairs.
<i>Lacks Mixing/ Discharge Power</i>	a) Low system pressure (PSI)	Check with pressure gauge. If low, investigate the cause.
<i>Oil Leaks</i>	a) Fittings loose or damaged	Tighten or replace fittings.
	b) Hoses loose or damaged	Tighten or replace hoses.
	c) Hydraulic motor seals worn or damaged	See your dealer for repairs.
<i>Oil Over Heating</i>	a) Low quantity of hydraulic oil	Fill reservoir to proper level. Increase reservoir storage capacity.
	b) Improper oil	Replace with proper oil.
	c) Dirty oil or oil filter	Change oil and oil filter according to vehicle manufacturer's recommendation.
	d) Fittings damaged	Replace fittings.
	e) Hoses damaged	Replace hoses.
	f) Improper hose size	Check hose diameter and length requirements.
<i>Hydraulic Hose Failure</i>	a) Hydraulic relief pressure setting too high	Adjust vehicle hydraulic relief pressure setting.
	b) Hoses worn or damaged	Replace hoses.
	c) Hose rating too low for hydraulic system pressure	Replace with hoses with working pressure rated higher than vehicle hydraulic pressure.
	d) Hoses pinched	Reroute hoses.

*For additional assistance, please call your dealer or contact Danuser direct:*

*Phone: (573) 642-2246*

*Fax: (573) 642-2240*

*E-mail: sales@danuser.com*

The Auger Bucket is practically maintenance free. There is only one grease zerk used to lubricate the motor seal. The zerk is located in the motor mounting plate. Grease the motor seal every 40 hours.

Thoroughly clean the Auger Bucket after each use, and apply a water-based, non-corrosive releasing agent. Do not allow concrete to dry in the bucket or water to freeze in the bucket. This will cause damage to the rubber flighting and damage the bucket itself.

# Service

## **! DANGER**

**Never attempt repairs or adjustments while the equipment is in operation.**

Rubber flighting disc replacement should be done only when performance has been reduced or material leaks out of the discharge end when the auger is not rotating. It is not necessary to replace all of the rubber flights at once. Replace only the flights that have extensive wear (usually the ones at the discharge end of the auger).

### NOTE

Use genuine Danuser replacement parts only. Substitute parts may not meet the standards required for safe, dependable operation.

STEP 1: Lower the Auger Bucket onto a flat, level surface.

## **! DANGER**

**Never allow anyone under the attachment at any time.**

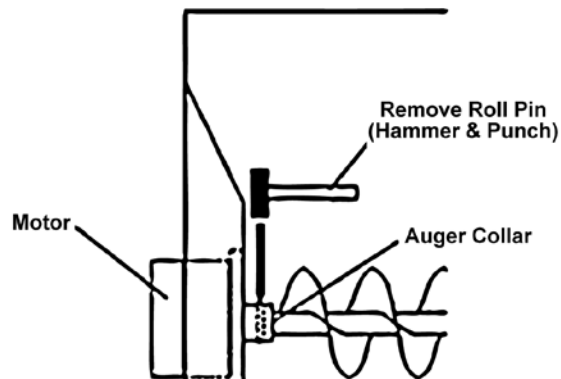
STEP 2: Shut off the vehicle engine, lower the arms, relieve all hydraulic pressure (by activating the vehicle controls), and remove the vehicle key before leaving the vehicle seat.

## **! WARNING**

**Before connecting or disconnecting hydraulic lines or fittings, be sure to relieve all pressure by cycling all hydraulic controls after shutdown. Remember hydraulic systems are under pressure whenever the engine is running and may hold pressure after shutdown.**

STEP 3: Disconnect the hydraulic hoses from the vehicle's auxiliary hydraulics.

STEP 4: Using a 5/16" punch and hammer, remove the spring pin in the auger collar.

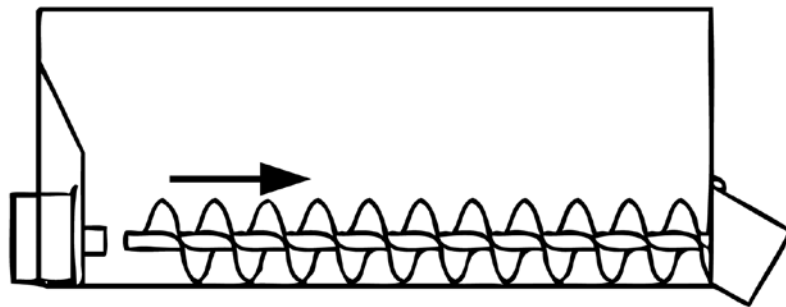




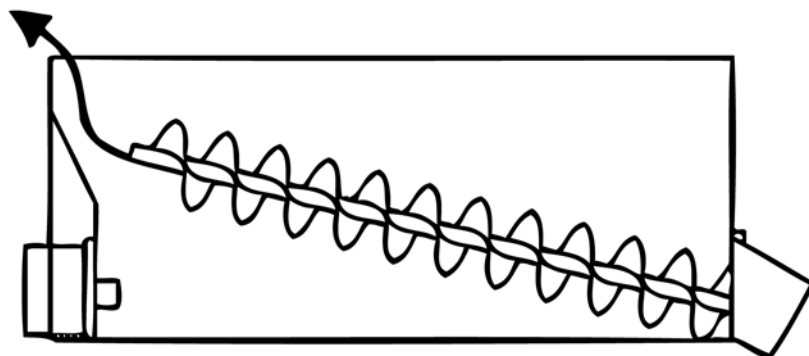
# Service

(continued)

STEP 5: Slide the auger away from the motor until the collar clears the shaft.



STEP 6: Pull up and slide the auger toward the motor end of the bucket until the auger is free of the discharge casing.



STEP 7: Place the auger on a secure work platform. Use a hammer and chisel to remove the lock nuts from the flights to be replaced.

**NOTE** One disc has been cut down in size. This disc replaces the disc closest to the motor end of the bucket.

STEP 8: Using the supplied hardware, replace worn rubber flights per the instructions below.

**NOTE** Mixing augers require seven sets of hardware per flight, and discharge augers require four sets of hardware per flight.

## Mixing Flight Replacement



Motor End Discharge End

Install the first seven rubber discs with the wear face toward the motor end of the bucket. Install the rest with the wear face toward the discharge end of the bucket.

## Discharge Flight Replacement



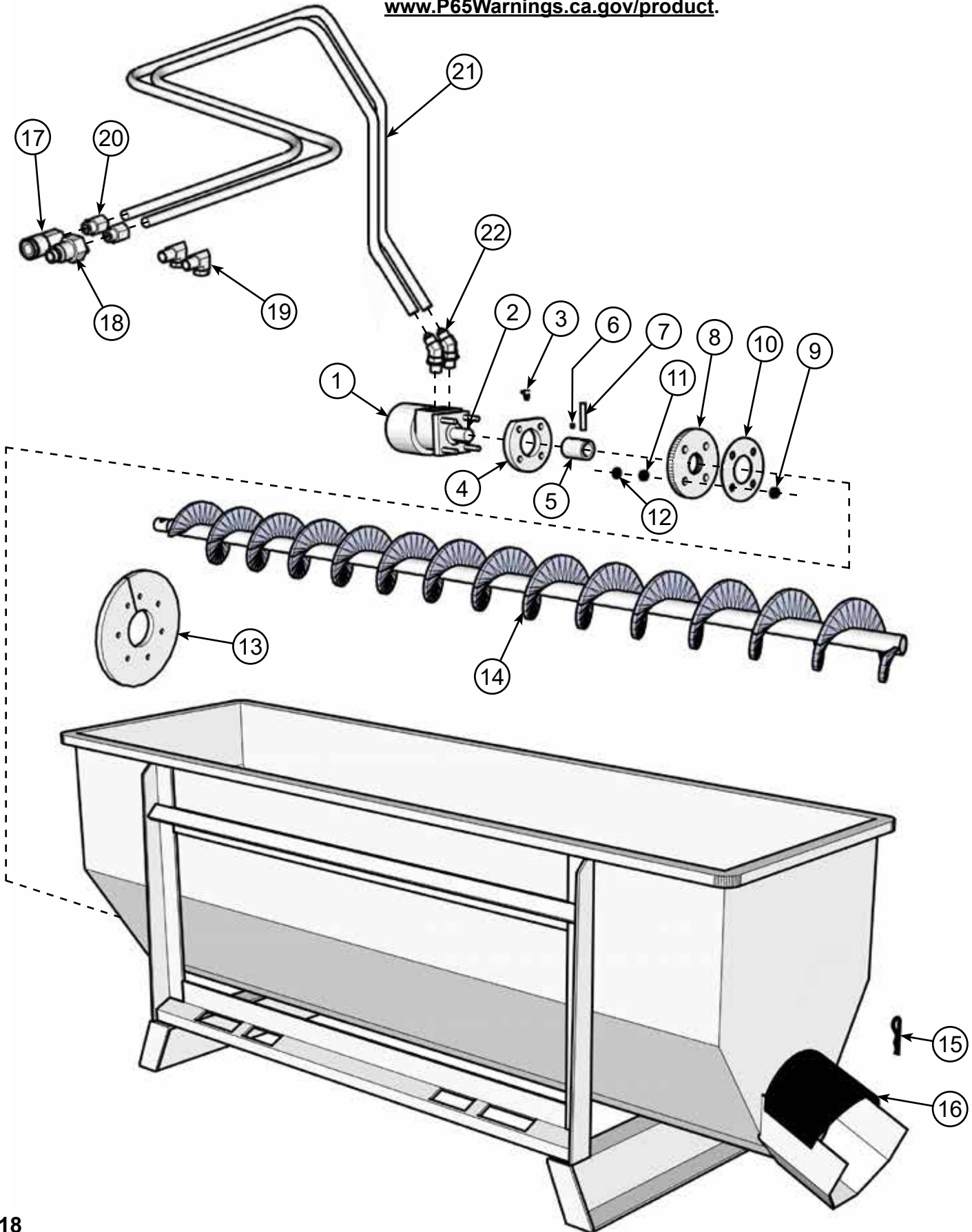
Motor End Discharge End

Install all rubber discs with the wear face toward the discharge end of the bucket.

# Parts

# ⚠️ WARNING

This product can expose you to chemicals known to the State of California to cause cancer and birth defects or other reproductive harm. For more information go to [www.P65Warnings.ca.gov/product](http://www.P65Warnings.ca.gov/product).



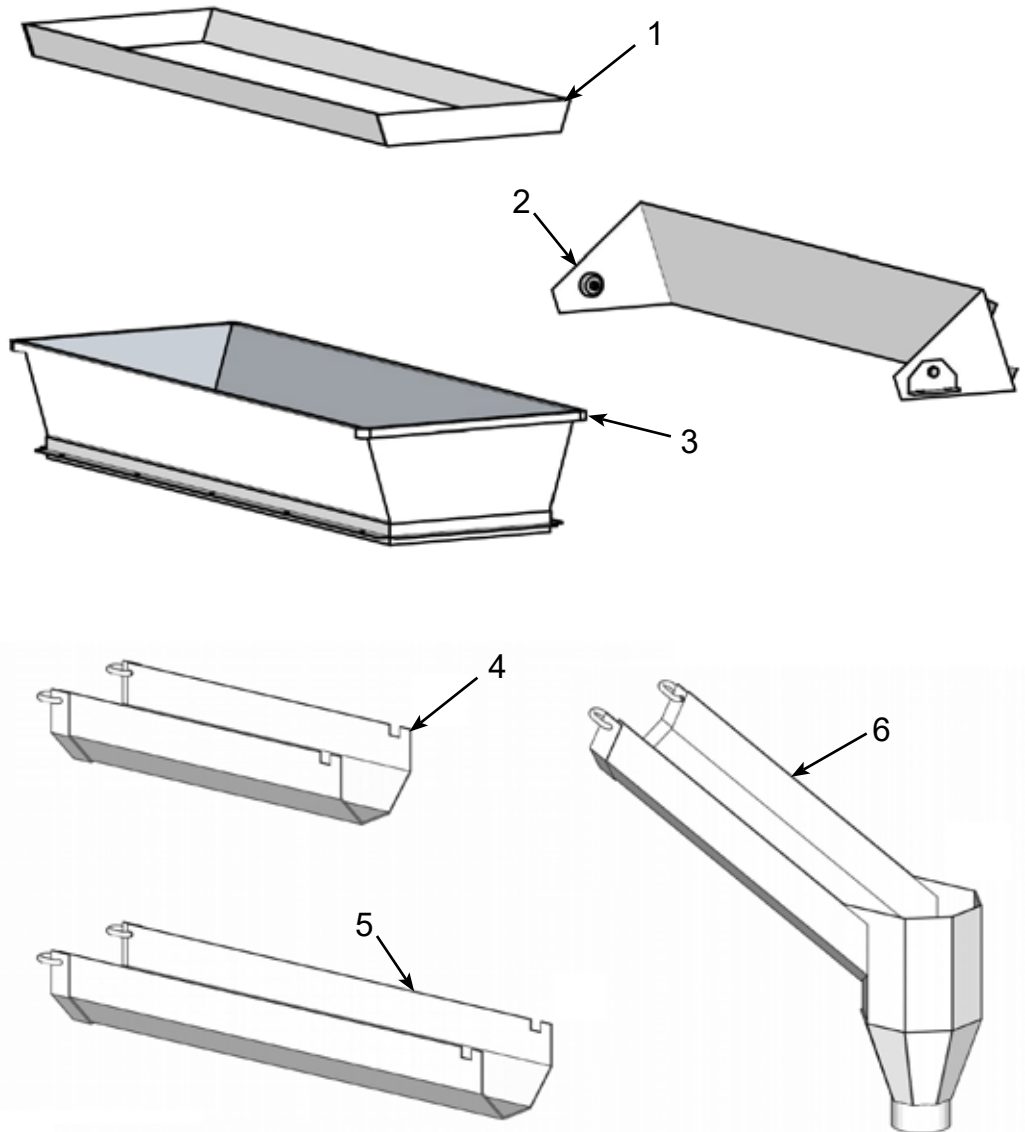
# Parts

(continued)

REF. NO.	PART NO.	DESCRIPTION	QTY.
1	11059	Standard Hydraulic Motor	1
	11032	Heavy Service Hydraulic Motor	1
2	11033	Motor Key	1
3	11036	Grease Zerk	1
4	11058	Standard Motor Mounting Plate	1
	172957	Heavy Service Motor Mounting Plate	1
	11061	Hub and Seal Kit (Includes REF. NOS. 5 - 9)	
5		Hub	1
6		Set Screw	1
7		Roll Pin	1
8		Motor Seal	1
9		Lock Nut	4
10	11060	Seal Retainer	1
11	11042	Lock Washer	4
12	11043	Hex Nut	4
13	11049	Standard Replacement Auger Flighting Kit	
	11050	Heavy Service Replacement Auger Flighting Kit	
14	11046	Discharge Auger Assembly (Includes PART NO. 11049)	1
	11047	Mixing Auger Assembly (Includes PART NO. 11050)	1
	11063	Steel Auger Assembly	1
15	11045	Hair Pin	1
16	11044	Splash Guard	1
17	11184	Female Flat-Face Coupler	1
18	11083	Male Flat-Face Coupler	1
19	11055	90° Adapter	2
20	172958	Straight Adapter	2
21	11053	Hose Assembly	2
22	11052	45° Adapter	2

## **WARNING**

This product can expose you to chemicals known to the State of California to cause cancer and birth defects or other reproductive harm. For more information go to [www.P65Warnings.ca.gov/product](http://www.P65Warnings.ca.gov/product).



REF. NO.	PART NO.	DESCRIPTION
1	11015	Scraper Blade
2	11057	Splash Guard
3	11017	Hopper Extension - 3/4 Yard (Hardware Included)
4	11019	Chute - 24" (Included with Auger Bucket)
5	11020	Chute - 36" (Included with Auger Bucket)
6	11021	4" Hose Adapter

This page is intentionally blank.

Danuser LLC ("Danuser") warrants its products, under normal use and maintenance, to be free from defects in material and workmanship for periods specified below from the purchase date from an authorized Danuser Dealer. Start of the warranty period is determined by purchase date given on your returned WARRANTY REGISTRATION FORM. Proof of purchase may be required. This Limited Warranty is extended only to the original purchaser of Danuser products.

Auger Bucket - 1 Year

Wear Items Not Covered Under Warranty - Hydraulic Hoses, Seals, and Rubber Auger Flighting

1. During the applicable warranty period, Danuser, at its option, will repair or replace any part determined by Danuser to be defective. Such repair or replacement shall take place at Danuser's factory or a location designated by Danuser. Under no circumstances shall Danuser be obligated for the cost of any repair or replacement by anyone other than Danuser without its express written consent.
2. Parts may not be returned without written authorization from Danuser.
3. Some purchased components, including but not limited to hydraulic components are subject to the inspection and warranty of the respective manufacturer. Thus, delays in a warranty determination can be expected while Danuser awaits their decision.
4. This warranty is void if any attempt is made to make field repairs to hydraulic components. To qualify for warranty inspection, the "failed" part must be returned in its original "failed" condition.
5. To make a claim under this warranty, first contact your authorized Danuser Dealer. The Danuser Dealer shall complete the Warranty Claim Form and obtain written authorization from Danuser to return parts. All warranty claims must include detailed information regarding make and model of vehicle on which the Danuser product was mounted, hours of use, description of events that led up to the failure, and any other information helpful in reviewing the warranty claim. All warranty returns must be prepaid. Shipments arriving at our factory on a freight collect basis will be refused by our receiving department. The freight charge will be credited if the parts are determined by Danuser to be defective, and the associated freight costs in returning those parts will be prepaid by Danuser. NOTE: Hydraulic motors must arrive with all ports sealed from dirt and moisture. If a motor arrives with open ports, the warranty is void and no inspection will be made.
6. Products or parts thereof which, as determined by Danuser's examination, show wear from normal use, have been improperly operated, damaged by accident or negligence, field repaired, altered or modified are not considered defective in material and workmanship and are not covered by this warranty. This warranty does not apply to parts subject to normal wear ("Wear Items") or to damage caused by the failure to perform recommended maintenance or to replace worn parts. This warranty shall not obligate Danuser to bear any cost of labor for field repair, replacement, testing, or adjustment nor for damage caused by accident, abuse, misuse, or environmental elements.
7. Any parts or labor required to repair or replace parts not covered under this warranty will be charged to the customer. Parts repaired or replaced by Danuser are then covered by this warranty only for the remainder of the original warranty as if such parts were original parts.
8. Danuser reserves the right to change its specifications and designs at any time.

This warranty is exclusive and in lieu of all other express warranties, if any, including the implied warranties of merchantability and fitness for a particular purpose. It shall not extend beyond the duration of the expressed warranty provided herein and the remedy for violations of any implied warranty shall be limited to repair or replacement of the defective part pursuant to the terms contained herein. No employee, dealer, salesman, or representative is authorized to change this warranty in any way or grant any other warranty. Danuser shall not be liable for any consequential, incidental, or punitive damages, losses, or expenses, including those resulting from or caused by any defects.

**Danuser LLC**  
**500 E. 3rd St.**  
**P.O. Box 368**  
**Fulton, MO 65251**

**Tel: (573) 642-2246**  
**Fax: (573) 642-2240**  
**E-mail: sales@danuser.com**  
**Website: www.danuser.com**